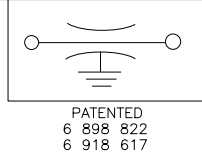
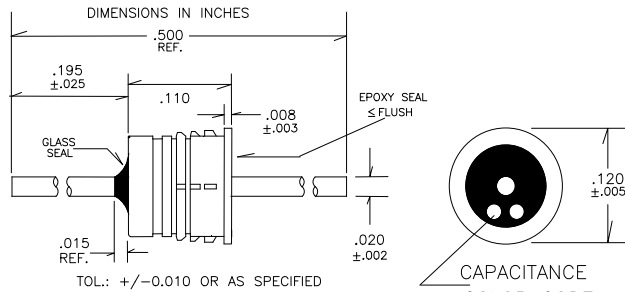
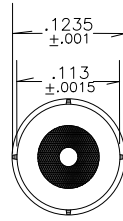


MOUNTING HOLE(S)

(FINISHED - PLATED DIMENSIONS)

IF PRESSING IN: 0.116 (#34) +/-0.001
 IF SOLDERING IN: 0.120 (#31) +/-0.001



MATERIAL:
 CASE: C12L14 CRS
 LEAD: ALLOY 52

FINISH:
 GOLD per MIL-G-45204
 TYPE III, GRADE A, CLASS 1

- * RoHS Compliant
- * ISO 9001: 2008 Registered
- * Discoidal Capacitor Construction

PART NUMBER	EMI P/N	FIG.	CAPACITANCE (pF)	CIRCUIT	COLOR DOT	MAX WVDC	DC AMPS	MIN. NO LOAD INSERTION LOSS (db)					
								1 Mhz	10 Mhz	100 Mhz	1 Ghz	10 Ghz	
	PXSC000D	1	0	FT	NONE	200	5						
	PXSC100D	1	10	C	VIOLET	200	5					5	20
	PXSC470D	1	47	C	2 BROWN	200	5					15	25
	PXSC101D	1	100	C	GREEN	200	5			3	20	28	
	PXSC471D	1	470	C	BROWN	200	5			15	35	40	
	PXSC102D	1	1000	C	WHITE	200	5		5	20	35	45	
	PXSC122D	1	1200	C	WHITE	200	5		5	20	35	45	
	PXSC152D	1	1500	C	WHITE	200	5	3	8	23	37	47	
	PXSC272B	1	2700	C	RED	100	5	5	10	25	40	50	
	PXSC502B	1	5000	C	YELLOW	100	5	5	15	30	45	55	
	PXSC103A	1	10,000	C	2 WHITE	50	5	6	21	35	50	60	

CAPACITANCE TOLERANCE:
 +100 / -0%

DISSIPATION FACTOR:
 3.5% MAX.

INSULATION RESISTANCE:
 25°C=10,000 Mohm Min.
 125°C=1,000 Mohm Min.

DIELECTRIC STRENGTH (DWV):
 250% of WVDC (5 seconds) @ 25°C

TEMPERATURE CHARACTERISTIC:
 X7R or BETTER

MARKING:
 COLOR DOT
 STANDARD per
 CHART

PLEASE NOTE THAT THE LISTED INSERTION LOSS NUMBERS
 ARE BASED ON THEORETICAL VALUES, AND/OR IDEAL CONDITIONS.
 ACTUAL MEASUREMENTS MAY VARY DUE TO INTERNAL CAPACITOR
 RESONANCES, OR OTHER DESIGN CONSTRAINTS.

OPERATING TEMPERATURE:
 -55°C to +125°C

INSTALLATION TEMPERATURE:
 225°C to +250°C MAX.

EMI FILTER COMPANY
 9075-C 130th AV N
 LARGO, FL 33773
 (727) 585-7990
 (727) 586-5138 FAX
 www.emifiltercompany.com

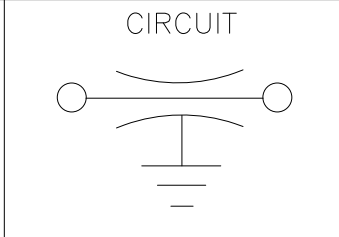
FILTERS, EMI, PRESS-IN STYLE

FSCM NO.
 OR9LO

DWG NO.
 PXSs REVC

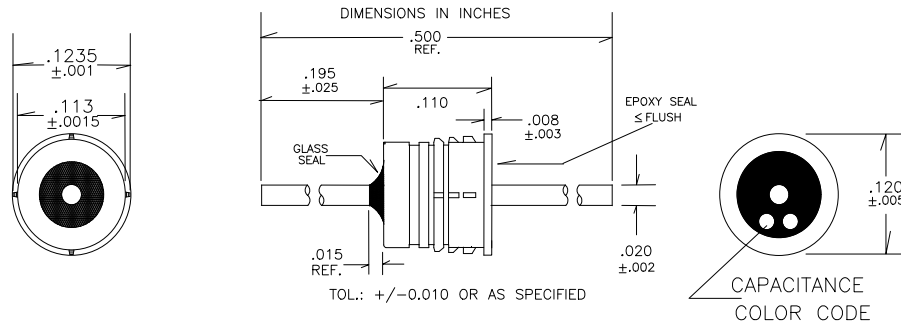
REV
 C

PXSC000D
SOLDERABLE PRESS-IN .1235" DIAMETER
"0" pF HERMETIC FILTER



PATENTED
6 898 822
6 918 617

MOUNTING HOLE(S)
(FINISHED - PLATED DIMENSIONS)
IF PRESSING IN: 0.116 (#34) +/-0.001
IF SOLDERING IN: 0.120 (#31) +/-0.001



- * RoHS Compliant
- * ISO 9001: 2008 Registered
- * Discoidal Capacitor Construction

PART NUMBER	EMI P/N	CAP. (pF)	COLOR DOT(S)	MAX. WVDC	DC AMPS	MINIMUM NO LOAD INSERTION LOSS				
						1 MHz	10 MHz	100 MHz	1 GHz	10 GHz
PXSC000D		0	NONE	200	5	-	-	-	-	-

ELECTRICAL

CAPACITANCE TOLERANCE: +100/-0%

DISSIPATION FACTOR: 3.5% MAX.

INSULATION RESISTANCE:
25° C=10,000 Mohm Min.
125° C=1,000 Mohm Min.

DIELECTRIC STRENGTH (DWV):
250% of WVDC (5 seconds)

TEMPERATURE CHARACTERISTIC:
X7R or better

PHYSICAL

DIMENSION TOLERANCE:
CASE LENGTH: +/- .010" (.250mm)
LEAD LENGTH: +/- .030" (.762mm)
LEAD DIAMETER: +/- .002" (.051mm)

MATERIAL AND FINISH:
CASE: C12L14 CRS
LEAD: Alloy 52
FINISH: GOLD per MIL-G-45204
TYPE III, GRADE A, CLASS 1

IDENTIFICATION & LIMITS

MARKING: Color Dot standard per chart

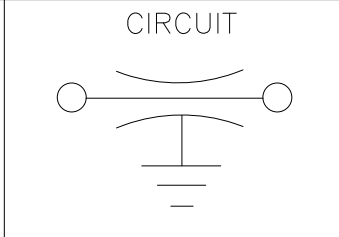
OPERATING TEMP: -55° C to +125° C

INSTALLATION TEMPERATURE: 225° - 250° C

PLEASE NOTE THAT THE LISTED INSERTION LOSS NUMBERS ARE BASED ON THEORETICAL VALUES, AND/OR IDEAL CONDITIONS. ACTUAL MEASUREMENTS MAY VARY DUE TO INTERNAL CAPACITOR RESONANCES, OR OTHER DESIGN CONSTRAINTS.

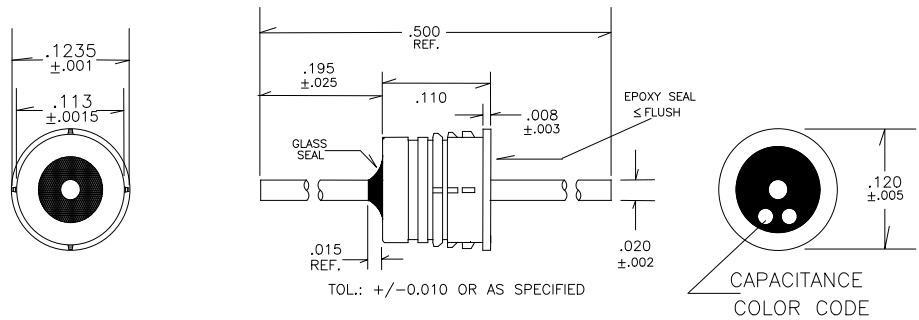
VENDOR: EMI FILTER COMPANY 12750 59th Way N. Clearwater, FL 33760 (727) 585-7990 (727) 586-5138 FAX www.emifiltercompany.com			FILTERS, EMI, MINIATURE, SOLDER-IN STYLE, STANDARD SEAL		
FSCM NO.	DWG NO. PXSC000D REVC		REV C		

PXSC100D
SOLDERABLE PRESS-IN .1235" DIAMETER
10pF HERMETIC FILTER



PATENTED
6 898 822
6 918 617

MOUNTING HOLE(S)
(FINISHED - PLATED DIMENSIONS)
IF PRESSING IN: 0.116 (#34) +/-0.001
IF SOLDERING IN: 0.120 (#31) +/-0.001



- * RoHS Compliant
- * ISO 9001: 2008 Registered
- * Discoidal Capacitor Construction

PART NUMBER	EMI P/N	CAP. (pF)	COLOR DOT(S)	MAX. WVDC	DC AMPS	MINIMUM NO LOAD INSERTION LOSS				
						1 MHz	10 MHz	100 MHz	1 GHz	10 GHz
PXSC100D		10	VIOLET	200	5	-	-	-	5	20

ELECTRICAL

CAPACITANCE TOLERANCE: +100/-0%
 DISSIPATION FACTOR: 3.5% MAX.
 INSULATION RESISTANCE:
 25° C=10,000 Mohm Min.
 125° C=1,000 Mohm Min.
 DIELECTRIC STRENGTH (DWV):
 250% of WVDC (5 seconds)
 TEMPERATURE CHARACTERISTIC:
 X7R or better

PHYSICAL

DIMENSION TOLERANCE:
 CASE LENGTH: +/- .010" (.250mm)
 LEAD LENGTH: +/- .030" (.762mm)
 LEAD DIAMETER: +/- .002" (.051mm)
 MATERIAL AND FINISH:
 CASE: C12L14 CRS
 LEAD: Alloy 52
 FINISH: GOLD per MIL-G-45204
 TYPE III, GRADE A, CLASS 1

IDENTIFICATION & LIMITS

MARKING: Color Dot standard per chart
 OPERATING TEMP: -55° C to +125° C
 INSTALLATION TEMPERATURE: 225° - 250° C

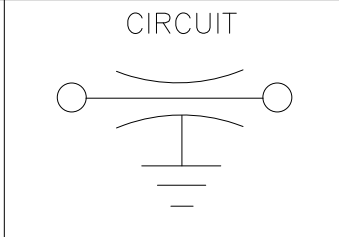
PLEASE NOTE THAT THE LISTED INSERTION LOSS NUMBERS ARE BASED ON THEORETICAL VALUES, AND/OR IDEAL CONDITIONS. ACTUAL MEASUREMENTS MAY VARY DUE TO INTERNAL CAPACITOR RESONANCES, OR OTHER DESIGN CONSTRAINTS.

VENDOR:
 EMI FILTER COMPANY
 12750 59th Way N.
 Clearwater, FL 33760
 (727) 585-7990
 (727) 586-5138 FAX
 www.emifiltercompany.com

FILTERS, EMI, MINIATURE,
SOLDER-IN STYLE, STANDARD SEAL

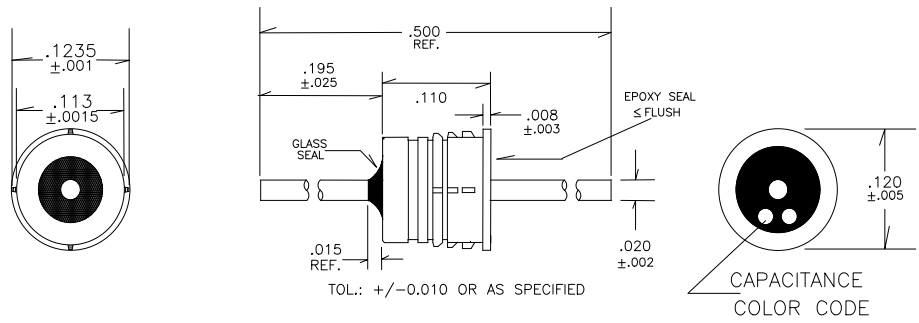
FSCM NO.	DWG NO. PXSC100D REVC	REV C
----------	--------------------------	----------

PXSC250D
SOLDERABLE PRESS-IN .1235" DIAMETER
25pF HERMETIC FILTER



PATENTED
6 898 822
6 918 617

MOUNTING HOLE(S)
(FINISHED - PLATED DIMENSIONS)
IF PRESSING IN: 0.116 (#34) +/-0.001
IF SOLDERING IN: 0.120 (#31) +/-0.001



- * RoHS Compliant
- * ISO 9001:2008 Registered
- * Discoidal Capacitor Construction

PART NUMBER	EMI P/N	CAP. (pF)	COLOR DOT(S)	MAX. WVDC	DC AMPS	MINIMUM NO LOAD INSERTION LOSS				
						1 MHz	10 MHz	100 MHz	1 GHz	10 GHz
PXSC250D		25	BLUE	200	5	-	-	-	10	25

ELECTRICAL

CAPACITANCE TOLERANCE: +100/-0%
 DISSIPATION FACTOR: 3.5% MAX.
 INSULATION RESISTANCE:
 25° C=10,000 Mohm Min.
 125° C=1,000 Mohm Min.
 DIELECTRIC STRENGTH (DWV):
 250% of WVDC (5 seconds)
 TEMPERATURE CHARACTERISTIC:
 X7R or better

PHYSICAL

DIMENSION TOLERANCE:
 CASE LENGTH: +/- .010" (.250mm)
 LEAD LENGTH: +/- .030" (.762mm)
 LEAD DIAMETER: +/- .002" (.051mm)
 MATERIAL AND FINISH:
 CASE: C12L14 CRS
 LEAD: Alloy 52
 FINISH: GOLD per MIL-G-45204
 TYPE III, GRADE A, CLASS 1

IDENTIFICATION & LIMITS

MARKING: Color Dot standard per chart
 OPERATING TEMP: -55° C to +125° C
 INSTALLATION TEMPERATURE: 225° - 250° C

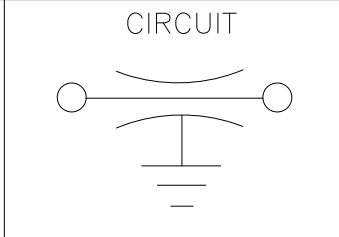
PLEASE NOTE THAT THE LISTED INSERTION LOSS NUMBERS ARE BASED ON THEORETICAL VALUES, AND/OR IDEAL CONDITIONS. ACTUAL MEASUREMENTS MAY VARY DUE TO INTERNAL CAPACITOR RESONANCES, OR OTHER DESIGN CONSTRAINTS.

VENDOR:
 EMI FILTER COMPANY
 12750 59th Way N.
 Clearwater, FL 33760
 (727) 585-7990
 (727) 586-5138 FAX
 www.emifiltercompany.com

FILTERS, EMI, MINIATURE,
SOLDER-IN STYLE, STANDARD SEAL

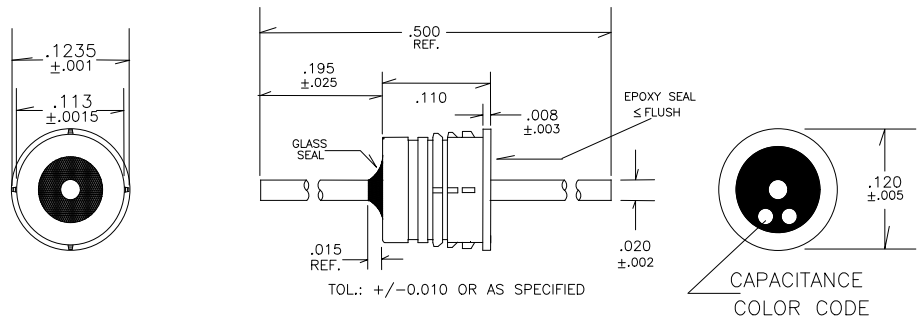
FSCM NO.	DWG NO. PXSC250D REVC	REV C
----------	--------------------------	----------

PXSC101D
SOLDERABLE PRESS-IN .1235" DIAMETER
100pF HERMETIC FILTER



PATENTED
6 898 822
6 918 617

MOUNTING HOLE(S)
(FINISHED - PLATED DIMENSIONS)
IF PRESSING IN: 0.116 (#34) +/-0.001
IF SOLDERING IN: 0.120 (#31) +/-0.001



- * RoHS Compliant
- * ISO 9001: 2008 Registered
- * Discoidal Capacitor Construction

PART NUMBER	EMI P/N	CAP. (pF)	COLOR DOT(S)	MAX. WVDC	DC AMPS	MINIMUM NO LOAD INSERTION LOSS				
						1 MHz	10 MHz	100 MHz	1 GHz	10 GHz
PXSC101D		100	GREEN	200	5	-	-	3	20	28

ELECTRICAL

CAPACITANCE TOLERANCE: +100/-0%
 DISSIPATION FACTOR: 3.5% MAX.
 INSULATION RESISTANCE:
 25° C=10,000 Mohm Min.
 125° C=1,000 Mohm Min.
 DIELECTRIC STRENGTH (DWV):
 250% of WVDC (5 seconds)
 TEMPERATURE CHARACTERISTIC:
 X7R or better

PHYSICAL

DIMENSION TOLERANCE:
 CASE LENGTH: +/- .010" (.250mm)
 LEAD LENGTH: +/- .030" (.762mm)
 LEAD DIAMETER: +/- .002" (.051mm)
 MATERIAL AND FINISH:
 CASE: C12L14 CRS
 LEAD: Alloy 52
 FINISH: GOLD per MIL-G-45204
 TYPE III, GRADE A, CLASS 1

IDENTIFICATION & LIMITS

MARKING: Color Dot standard per chart
 OPERATING TEMP: -55° C to +125° C
 INSTALLATION TEMPERATURE: 225° - 250° C

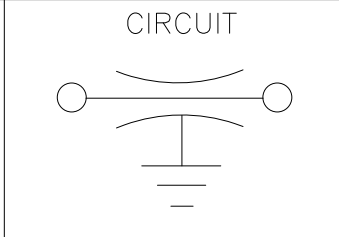
PLEASE NOTE THAT THE LISTED INSERTION LOSS NUMBERS ARE BASED ON THEORETICAL VALUES, AND/OR IDEAL CONDITIONS. ACTUAL MEASUREMENTS MAY VARY DUE TO INTERNAL CAPACITOR RESONANCES, OR OTHER DESIGN CONSTRAINTS.

VENDOR:
 EMI FILTER COMPANY
 12750 59th Way N.
 Clearwater, FL 33760
 (727) 585-7990
 (727) 586-5138 FAX
 www.emifiltercompany.com

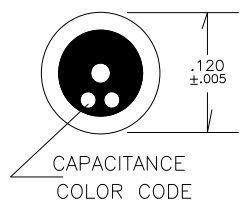
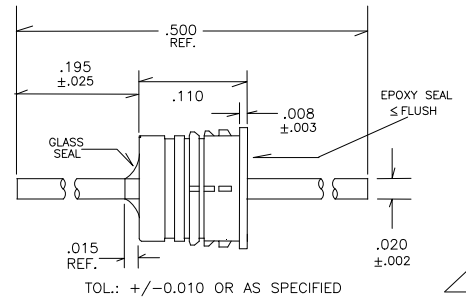
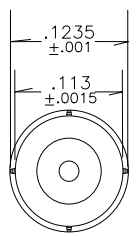
FILTERS, EMI, MINIATURE,
SOLDER-IN STYLE, STANDARD SEAL

FSCM NO.	DWG NO. PXSC101D REVC	REV C
----------	--------------------------	----------

PXSC470D
 MINI .105" DIAMETER
 47pF HERMETIC SOLDER-IN



PATENTED
 6 898 822
 6 918 617



- * RoHS Compliant
- * ISO 9001:2008 Registered
- * Discoidal Capacitor Construction

PART NUMBER	EMI P/N	CAP. (pF)	COLOR DOT(S)	MAX. WVDC	DC AMPS	MINIMUM NO LOAD INSERTION LOSS				
						1 MHz	10 MHz	100 MHz	1 GHz	10 GHz
XSC470D		47	2 BROWN	200	5	-	-	15	35	40

ELECTRICAL

CAPACITANCE TOLERANCE: +100/-0%
 DISSIPATION FACTOR: 3.5% MAX.
 INSULATION RESISTANCE:
 25° C=10,000 Mohm Min.
 125° C=1,000 Mohm Min.
 DIELECTRIC STRENGTH (DWV):
 250% of WVDC (5 seconds)
 TEMPERATURE CHARACTERISTIC:
 X7R or better

PHYSICAL

DIMENSION TOLERANCE:
 CASE LENGTH: +/- .010" (.250mm)
 LEAD LENGTH: +/- .030" (.762mm)
 LEAD DIAMETER: +/- .002" (.051mm)
 MATERIAL AND FINISH:
 CASE: C12L14 CRS
 LEAD: Alloy 52
 FINISH: GOLD per MIL-G-45204
 TYPE III, GRADE A, CLASS 1

IDENTIFICATION & LIMITS

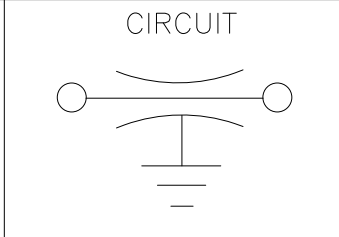
MARKING: Color Dot standard per chart
 OPERATING TEMP: -55° C to +125° C
 INSTALLATION TEMPERATURE: 225° - 250° C

PLEASE NOTE THAT THE LISTED INSERTION LOSS NUMBERS ARE BASED ON THEORETICAL VALUES, AND/OR IDEAL CONDITIONS. ACTUAL MEASUREMENTS MAY VARY DUE TO INTERNAL CAPACITOR RESONANCES, OR OTHER DESIGN CONSTRAINTS.

VENDOR:
 EMI FILTER COMPANY
 12750 59th Way N.
 Clearwater, FL 33760
 (727) 585-7990
 (727) 586-5138 FAX
 www.emifiltercompany.com

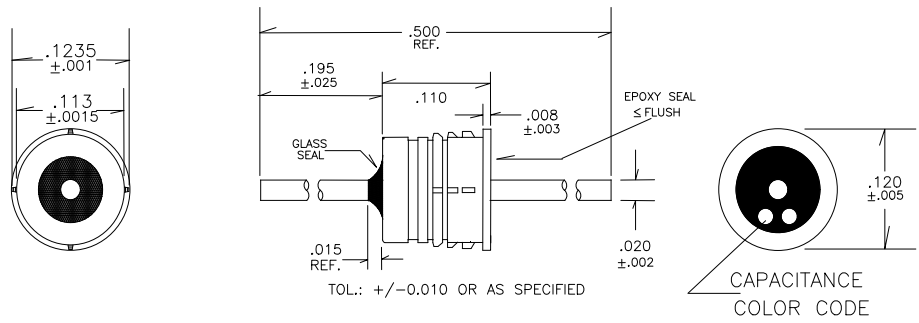
FILTERS, EMI, MINIATURE, SOLDER-IN STYLE, STANDARD SEAL		
FSCM NO.	DWG NO. PXSC470D REVC	REV C

PXSC501D
SOLDERABLE PRESS-IN .1235" DIAMETER
2,700pF HERMETIC FILTER



PATENTED
6 898 822
6 918 617

MOUNTING HOLE(S)
(FINISHED - PLATED DIMENSIONS)
IF PRESSING IN: 0.116 (#34) +/-0.001
IF SOLDERING IN: 0.120 (#31) +/-0.001



- * RoHS Compliant
- * ISO 9001:2008 Registered
- * Discoidal Capacitor Construction

PART NUMBER	EMI P/N	CAP. (pF)	COLOR DOT(S)	MAX. WVDC	DC AMPS	MINIMUM NO LOAD INSERTION LOSS				
						1 MHz	10 MHz	100 MHz	1 GHz	10 GHz
PXSC501D		500	BROWN	200	5	-	-	15	35	40

ELECTRICAL

CAPACITANCE TOLERANCE: +100/-0%
 DISSIPATION FACTOR: 3.5% MAX.
 INSULATION RESISTANCE:
 25° C=10,000 Mohm Min.
 125° C=1,000 Mohm Min.
 DIELECTRIC STRENGTH (DWV):
 250% of WVDC (5 seconds)
 TEMPERATURE CHARACTERISTIC:
 X7R or better

PHYSICAL

DIMENSION TOLERANCE:
 CASE LENGTH: +/- .010" (.250mm)
 LEAD LENGTH: +/- .030" (.762mm)
 LEAD DIAMETER: +/- .002" (.051mm)
 MATERIAL AND FINISH:
 CASE: C12L14 CRS
 LEAD: Alloy 52
 FINISH: GOLD per MIL-G-45204
 TYPE III, GRADE A, CLASS 1

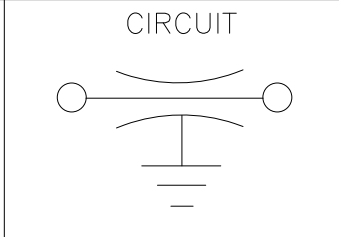
IDENTIFICATION & LIMITS

MARKING: Color Dot standard per chart
 OPERATING TEMP: -55° C to +125° C
 INSTALLATION TEMPERATURE: 225° - 250° C

PLEASE NOTE THAT THE LISTED INSERTION LOSS NUMBERS ARE BASED ON THEORETICAL VALUES, AND/OR IDEAL CONDITIONS. ACTUAL MEASUREMENTS MAY VARY DUE TO INTERNAL CAPACITOR RESONANCES, OR OTHER DESIGN CONSTRAINTS.

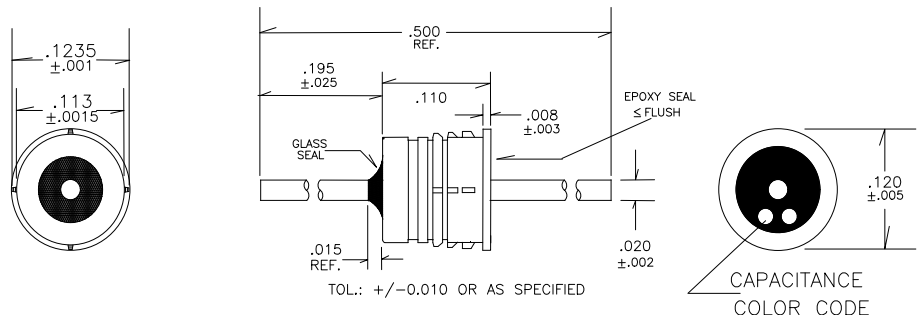
VENDOR: EMI FILTER COMPANY 12750 59th Way N. Clearwater, FL 33760 (727) 585-7990 (727) 586-5138 FAX www.emifiltercompany.com			FILTERS, EMI, MINIATURE, SOLDER-IN STYLE, STANDARD SEAL		
FSCM NO.		DWG NO. PXSC501D REVC		REV C	

PXSC102B
SOLDERABLE PRESS-IN .1235" DIAMETER
1,000pF HERMETIC FILTER



PATENTED
6 898 822
6 918 617

MOUNTING HOLE(S)
(FINISHED - PLATED DIMENSIONS)
IF PRESSING IN: 0.116 (#34) +/-0.001
IF SOLDERING IN: 0.120 (#31) +/-0.001



- * RoHS Compliant
- * ISO 9001:2008 Registered
- * Discoidal Capacitor Construction

PART NUMBER	EMI P/N	CAP. (pF)	COLOR DOT(S)	MAX. WVDC	DC AMPS	MINIMUM NO LOAD INSERTION LOSS				
						1 MHz	10 MHz	100 MHz	1 GHz	10 GHz
PXSC102B		1,000	WHITE	100	5	-	5	20	35	45

ELECTRICAL

CAPACITANCE TOLERANCE: +100/-0%
 DISSIPATION FACTOR: 3.5% MAX.
 INSULATION RESISTANCE:
 25° C=10,000 Mohm Min.
 125° C=1,000 Mohm Min.
 DIELECTRIC STRENGTH (DWV):
 250% of WVDC (5 seconds)
 TEMPERATURE CHARACTERISTIC:
 X7R or better

PHYSICAL

DIMENSION TOLERANCE:
 CASE LENGTH: +/- .010" (.250mm)
 LEAD LENGTH: +/- .030" (.762mm)
 LEAD DIAMETER: +/- .002" (.051mm)
 MATERIAL AND FINISH:
 CASE: C12L14 CRS
 LEAD: Alloy 52
 FINISH: GOLD per MIL-G-45204
 TYPE III, GRADE A, CLASS 1

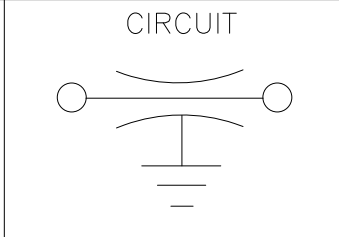
IDENTIFICATION & LIMITS

MARKING: Color Dot standard per chart
 OPERATING TEMP: -55° C to +125° C
 INSTALLATION TEMPERATURE: 225° - 250° C

PLEASE NOTE THAT THE LISTED INSERTION LOSS NUMBERS ARE BASED ON THEORETICAL VALUES, AND/OR IDEAL CONDITIONS. ACTUAL MEASUREMENTS MAY VARY DUE TO INTERNAL CAPACITOR RESONANCES, OR OTHER DESIGN CONSTRAINTS.

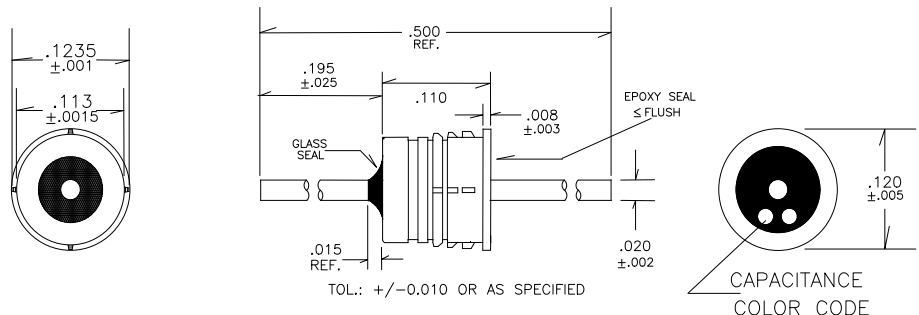
VENDOR: EMI FILTER COMPANY 12750 59th Way N. Clearwater, FL 33760 (727) 585-7990 (727) 586-5138 FAX www.emifiltercompany.com			FILTERS, EMI, MINIATURE, SOLDER-IN STYLE, STANDARD SEAL		
FSCM NO.		DWG NO. PXSC102B REVC		REV C	

PXSC122B
SOLDERABLE PRESS-IN .1235" DIAMETER
1,200pF HERMETIC FILTER



PATENTED
6 898 822
6 918 617

MOUNTING HOLE(S)
(FINISHED - PLATED DIMENSIONS)
IF PRESSING IN: 0.116 (#34) +/-0.001
IF SOLDERING IN: 0.120 (#31) +/-0.001



- * RoHS Compliant
- * ISO 9001:2008 Registered
- * Discoidal Capacitor Construction

PART NUMBER	EMI P/N	CAP. (pF)	COLOR DOT(S)	MAX. WVDC	DC AMPS	MINIMUM NO LOAD INSERTION LOSS				
						1 MHz	10 MHz	100 MHz	1 GHz	10 GHz
PXSC122B		1,200	WHITE	100	5	-	5	20	35	45

ELECTRICAL

CAPACITANCE TOLERANCE: +100/-0%
 DISSIPATION FACTOR: 3.5% MAX.
 INSULATION RESISTANCE:
 25° C=10,000 Mohm Min.
 125° C=1,000 Mohm Min.
 DIELECTRIC STRENGTH (DWV):
 250% of WVDC (5 seconds)
 TEMPERATURE CHARACTERISTIC:
 X7R or better

PHYSICAL

DIMENSION TOLERANCE:
 CASE LENGTH: +/- .010" (.250mm)
 LEAD LENGTH: +/- .030" (.762mm)
 LEAD DIAMETER: +/- .002" (.051mm)
 MATERIAL AND FINISH:
 CASE: C12L14 CRS
 LEAD: Alloy 52
 FINISH: GOLD per MIL-G-45204
 TYPE III, GRADE A, CLASS 1

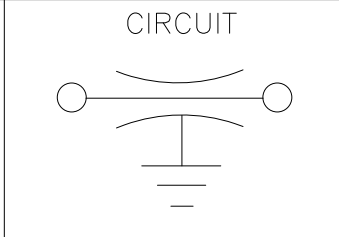
IDENTIFICATION & LIMITS

MARKING: Color Dot standard per chart
 OPERATING TEMP: -55° C to +125° C
 INSTALLATION TEMPERATURE: 225° - 250° C

PLEASE NOTE THAT THE LISTED INSERTION LOSS NUMBERS ARE BASED ON THEORETICAL VALUES, AND/OR IDEAL CONDITIONS. ACTUAL MEASUREMENTS MAY VARY DUE TO INTERNAL CAPACITOR RESONANCES, OR OTHER DESIGN CONSTRAINTS.

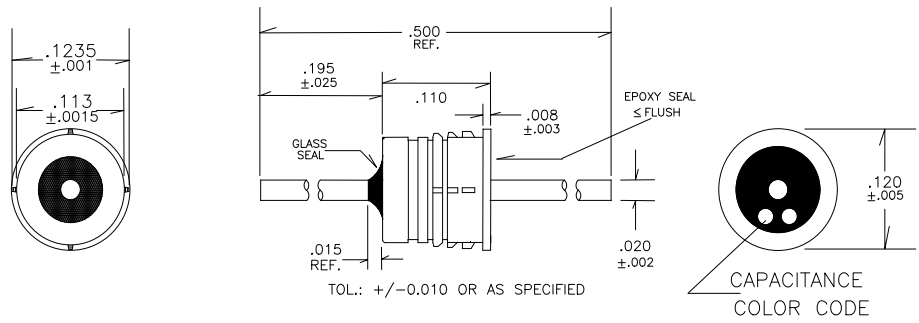
VENDOR: EMI FILTER COMPANY 12750 59th Way N. Clearwater, FL 33760 (727) 585-7990 (727) 586-5138 FAX www.emifiltercompany.com			FILTERS, EMI, MINIATURE, SOLDER-IN STYLE, STANDARD SEAL		
FSCM NO.		DWG NO. PXSC122B REVC		REV C	

PXSC152B
SOLDERABLE PRESS-IN .1235" DIAMETER
1,500pF HERMETIC FILTER



PATENTED
6 898 822
6 918 617

MOUNTING HOLE(S)
(FINISHED - PLATED DIMENSIONS)
IF PRESSING IN: 0.116 (#34) +/-0.001
IF SOLDERING IN: 0.120 (#31) +/-0.001



- * RoHS Compliant
- * ISO 9001:2008 Registered
- * Discoidal Capacitor Construction

PART NUMBER	EMI P/N	CAP. (pF)	COLOR DOT(S)	MAX. WVDC	DC AMPS	MINIMUM NO LOAD INSERTION LOSS				
						1 MHz	10 MHz	100 MHz	1 GHz	10 GHz
PXSC152B		1,500	WHITE	100	5	-	7	23	37	47

ELECTRICAL

CAPACITANCE TOLERANCE: +100/-0%
 DISSIPATION FACTOR: 3.5% MAX.
 INSULATION RESISTANCE:
 25° C=10,000 Mohm Min.
 125° C=1,000 Mohm Min.
 DIELECTRIC STRENGTH (DWV):
 250% of WVDC (5 seconds)
 TEMPERATURE CHARACTERISTIC:
 X7R or better

PHYSICAL

DIMENSION TOLERANCE:
 CASE LENGTH: +/- .010" (.250mm)
 LEAD LENGTH: +/- .030" (.762mm)
 LEAD DIAMETER: +/- .002" (.051mm)
 MATERIAL AND FINISH:
 CASE: C12L14 CRS
 LEAD: Alloy 52
 FINISH: GOLD per MIL-G-45204
 TYPE III, GRADE A, CLASS 1

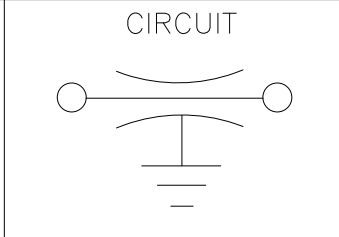
IDENTIFICATION & LIMITS

MARKING: Color Dot standard per chart
 OPERATING TEMP: -55° C to +125° C
 INSTALLATION TEMPERATURE: 225° - 250° C

PLEASE NOTE THAT THE LISTED INSERTION LOSS NUMBERS ARE BASED ON THEORETICAL VALUES, AND/OR IDEAL CONDITIONS. ACTUAL MEASUREMENTS MAY VARY DUE TO INTERNAL CAPACITOR RESONANCES, OR OTHER DESIGN CONSTRAINTS.

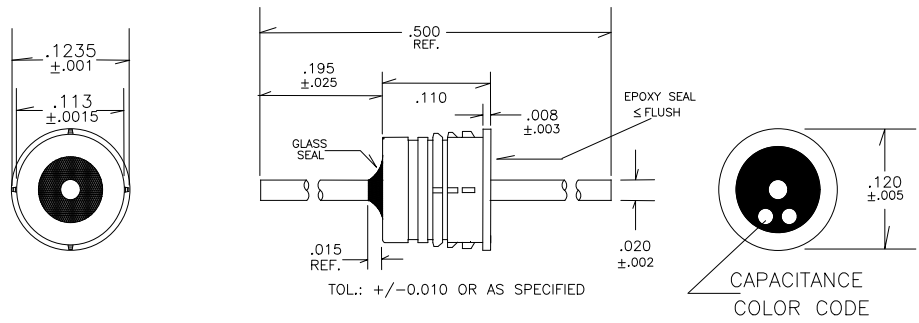
VENDOR: EMI FILTER COMPANY 12750 59th Way N. Clearwater, FL 33760 (727) 585-7990 (727) 586-5138 FAX www.emifiltercompany.com		FILTERS, EMI, MINIATURE, SOLDER-IN STYLE, STANDARD SEAL		
FSCM NO.	DWG NO. PXSC152B REVC	REV C		

PXSC272B
SOLDERABLE PRESS-IN .1235" DIAMETER
2,700pF HERMETIC FILTER



PATENTED
6 898 822
6 918 617

MOUNTING HOLE(S)
(FINISHED - PLATED DIMENSIONS)
IF PRESSING IN: 0.116 (#34) +/-0.001
IF SOLDERING IN: 0.120 (#31) +/-0.001



- * RoHS Compliant
- * ISO 9001:2008 Registered
- * Discoidal Capacitor Construction

PART NUMBER	EMI P/N	CAP. (pF)	COLOR DOT(S)	MAX. WVDC	DC AMPS	MINIMUM NO LOAD INSERTION LOSS				
						1 MHz	10 MHz	100 MHz	1 GHz	10 GHz
PXSC272B		2,700	RED	100	5	5	10	25	40	50

ELECTRICAL

CAPACITANCE TOLERANCE: +100/-0%
 DISSIPATION FACTOR: 3.5% MAX.
 INSULATION RESISTANCE:
 25° C=10,000 Mohm Min.
 125° C=1,000 Mohm Min.
 DIELECTRIC STRENGTH (DWV):
 250% of WVDC (5 seconds)
 TEMPERATURE CHARACTERISTIC:
 X7R or better

PHYSICAL

DIMENSION TOLERANCE:
 CASE LENGTH: +/- .010" (.250mm)
 LEAD LENGTH: +/- .030" (.762mm)
 LEAD DIAMETER: +/- .002" (.051mm)
 MATERIAL AND FINISH:
 CASE: C12L14 CRS
 LEAD: Alloy 52
 FINISH: GOLD per MIL-G-45204
 TYPE III, GRADE A, CLASS 1

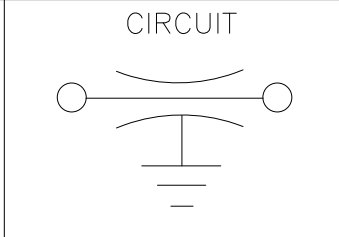
IDENTIFICATION & LIMITS

MARKING: Color Dot standard per chart
 OPERATING TEMP: -55° C to +125° C
 INSTALLATION TEMPERATURE: 225° - 250° C

PLEASE NOTE THAT THE LISTED INSERTION LOSS NUMBERS ARE BASED ON THEORETICAL VALUES, AND/OR IDEAL CONDITIONS. ACTUAL MEASUREMENTS MAY VARY DUE TO INTERNAL CAPACITOR RESONANCES, OR OTHER DESIGN CONSTRAINTS.

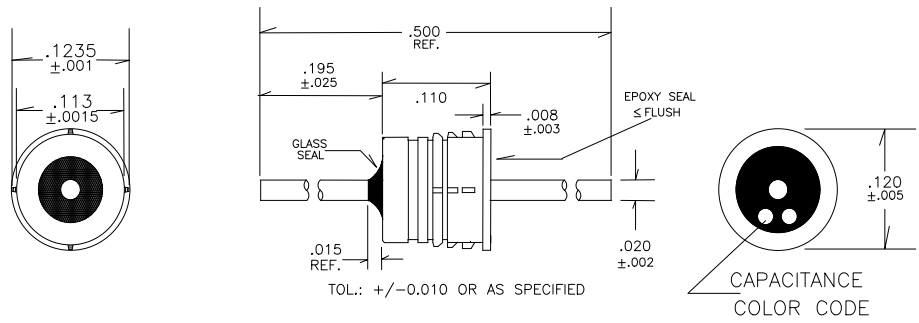
VENDOR: EMI FILTER COMPANY 12750 59th Way N. Clearwater, FL 33760 (727) 585-7990 (727) 586-5138 FAX www.emifiltercompany.com			FILTERS, EMI, MINIATURE, SOLDER-IN STYLE, STANDARD SEAL		
FSCM NO.		DWG NO. PXSC272B REVC		REV C	

PXSC502B
SOLDERABLE PRESS-IN .1235" DIAMETER
5,000pF HERMETIC FILTER



PATENTED
6 898 822
6 918 617

MOUNTING HOLE(S)
(FINISHED - PLATED DIMENSIONS)
IF PRESSING IN: 0.116 (#34) +/-0.001
IF SOLDERING IN: 0.120 (#31) +/-0.001



- * RoHS Compliant
- * ISO 9001:2008 Registered
- * Discoidal Capacitor Construction

PART NUMBER	EMI P/N	CAP. (pF)	COLOR DOT(S)	MAX. WVDC	DC AMPS	MINIMUM NO LOAD INSERTION LOSS				
						1 MHz	10 MHz	100 MHz	1 GHz	10 GHz
PXSC502B		5,000	YELLOW	100	5	5	15	30	45	55

ELECTRICAL

CAPACITANCE TOLERANCE: +100/-0%
 DISSIPATION FACTOR: 3.5% MAX.
 INSULATION RESISTANCE:
 25° C=10,000 Mohm Min.
 125° C=1,000 Mohm Min.
 DIELECTRIC STRENGTH (DWV):
 250% of WVDC (5 seconds)
 TEMPERATURE CHARACTERISTIC:
 X7R or better

PHYSICAL

DIMENSION TOLERANCE:
 CASE LENGTH: +/- .010" (.250mm)
 LEAD LENGTH: +/- .030" (.762mm)
 LEAD DIAMETER: +/- .002" (.051mm)
 MATERIAL AND FINISH:
 CASE: C12L14 CRS
 LEAD: Alloy 52
 FINISH: GOLD per MIL-G-45204
 TYPE III, GRADE A, CLASS 1

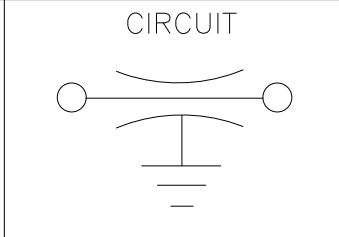
IDENTIFICATION & LIMITS

MARKING: Color Dot standard per chart
 OPERATING TEMP: -55° C to +125° C
 INSTALLATION TEMPERATURE: 225° - 250° C

PLEASE NOTE THAT THE LISTED INSERTION LOSS NUMBERS ARE BASED ON THEORETICAL VALUES, AND/OR IDEAL CONDITIONS. ACTUAL MEASUREMENTS MAY VARY DUE TO INTERNAL CAPACITOR RESONANCES, OR OTHER DESIGN CONSTRAINTS.

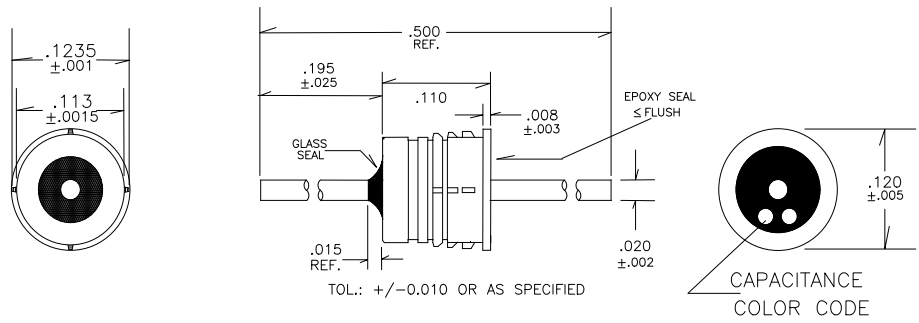
VENDOR: EMI FILTER COMPANY 12750 59th Way N. Clearwater, FL 33760 (727) 585-7990 (727) 586-5138 FAX www.emifiltercompany.com			FILTERS, EMI, MINIATURE, SOLDER-IN STYLE, STANDARD SEAL		
FSCM NO.		DWG NO. PXSC502B REVC		REV C	

PXSC103A
SOLDERABLE PRESS-IN .1235" DIAMETER
10,000pF HERMETIC FILTER



PATENTED
6 898 822
6 918 617

MOUNTING HOLE(S)
(FINISHED - PLATED DIMENSIONS)
IF PRESSING IN: 0.116 (#34) +/-0.001
IF SOLDERING IN: 0.120 (#31) +/-0.001



- * RoHS Compliant
- * ISO 9001:2008 Registered
- * Discoidal Capacitor Construction

PART NUMBER	EMI P/N	CAP. (pF)	COLOR DOT(S)	MAX. WVDC	DC AMPS	MINIMUM NO LOAD INSERTION LOSS				
						1 MHz	10 MHz	100 MHz	1 GHz	10 GHz
PXSC103A		10,000	2 WHITE	50	5	6	21	35	50	60

ELECTRICAL

CAPACITANCE TOLERANCE: +100/-0%
 DISSIPATION FACTOR: 3.5% MAX.
 INSULATION RESISTANCE:
 25° C=10,000 Mohm Min.
 125° C=1,000 Mohm Min.
 DIELECTRIC STRENGTH (DWV):
 250% of WVDC (5 seconds)
 TEMPERATURE CHARACTERISTIC:
 X7R or better

PHYSICAL

DIMENSION TOLERANCE:
 CASE LENGTH: +/- .010" (.250mm)
 LEAD LENGTH: +/- .030" (.762mm)
 LEAD DIAMETER: +/- .002" (.051mm)
 MATERIAL AND FINISH:
 CASE: C12L14 CRS
 LEAD: Alloy 52
 FINISH: GOLD per MIL-G-45204
 TYPE III, GRADE A, CLASS 1

IDENTIFICATION & LIMITS

MARKING: Color Dot standard per chart
 OPERATING TEMP: -55° C to +125° C
 INSTALLATION TEMPERATURE: 225° - 250° C

PLEASE NOTE THAT THE LISTED INSERTION LOSS NUMBERS ARE BASED ON THEORETICAL VALUES, AND/OR IDEAL CONDITIONS. ACTUAL MEASUREMENTS MAY VARY DUE TO INTERNAL CAPACITOR RESONANCES, OR OTHER DESIGN CONSTRAINTS.

VENDOR: EMI FILTER COMPANY 12750 59th Way N. Clearwater, FL 33760 (727) 585-7990 (727) 586-5138 FAX www.emifiltercompany.com			FILTERS, EMI, MINIATURE, SOLDER-IN STYLE, STANDARD SEAL		
FSCM NO.		DWG NO. PXSC103A REVC		REV C	