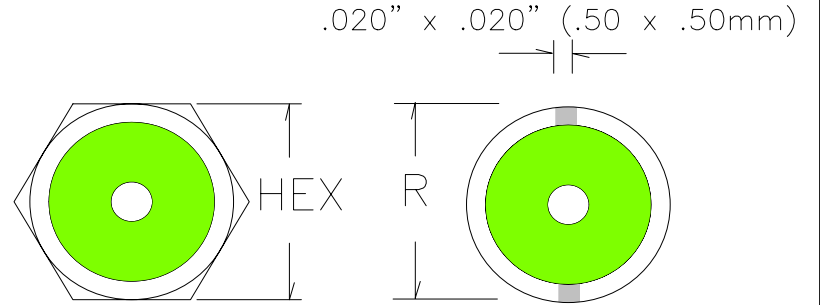
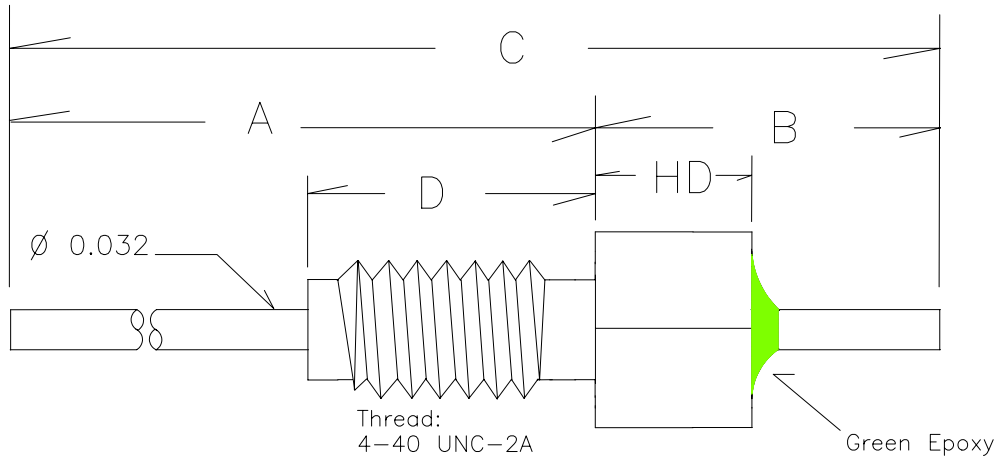
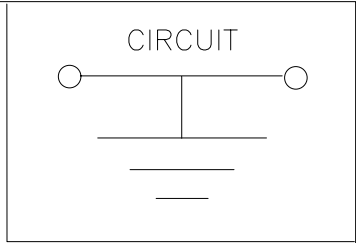


4-40 UNC-2A THREADED GROUND POINTS



EMI P/N	FINISH	A		B		C		D		HD		HEX/R	
		Inches	mm	Inches	mm	Inches	mm	Inches	mm	Inches	mm	Inches	mm
B3GND	Silver	.315"	8.00	.225"	5.71	.540"	(13.71)	.140"	(3.55)	.075"	(1.90)	.125"	(3.17) Hex
R3GND	Silver	.290"	7.37	.250"	6.35	.540"	(13.71)	.140"	(3.55)	.100"	(2.54)	.125"	(3.17) Round
B4GND	Silver	.395"	10.03	.265"	6.35	.660"	(16.38)	.220"	(5.59)	.120"	(3.05)	.156"	(3.96) Hex
B5GND	Silver	.315"	8.00	.225"	5.71	.540"	(13.71)	.140"	(3.55)	.075"	(1.90)	.156"	(3.96) Hex

MATERIAL AND FINISH:
CASE: C12L14 CRS
LEAD: Copper (1/2 Hard)
FINISH: Silver per QQ-S-365

DIMENSION TOLERANCE:
CASE LENGTH: +/- .010" (.250mm)
LEAD LENGTH: +/- .030" (.762mm)
LEAD DIAMETER: +/- .002" (.051mm)

OPERATING TEMP: -55° C to +125° C
INSTALLATION TEMP: N/A
MAXIMUM MOUNTING TORQUE: 2.0 in*lbs

DC CURRENT: 10 AMPS

- * RoHS Compliant
- * ISO 9001:2008 Registered

EMI FILTER COMPANY 12750 59th WAY NORTH CLEARWATER, FLORIDA 33760 (727) 585-7990 (727) 586-5138 Fax www.emifiltercompany.com		EMI PART NUMBER: 4-40 SERIES GROUND POINTS	
FSCM NO.	OR9L0	DWG NO.	4-40GNDs REVC
SCALE:	NTS	REV	C