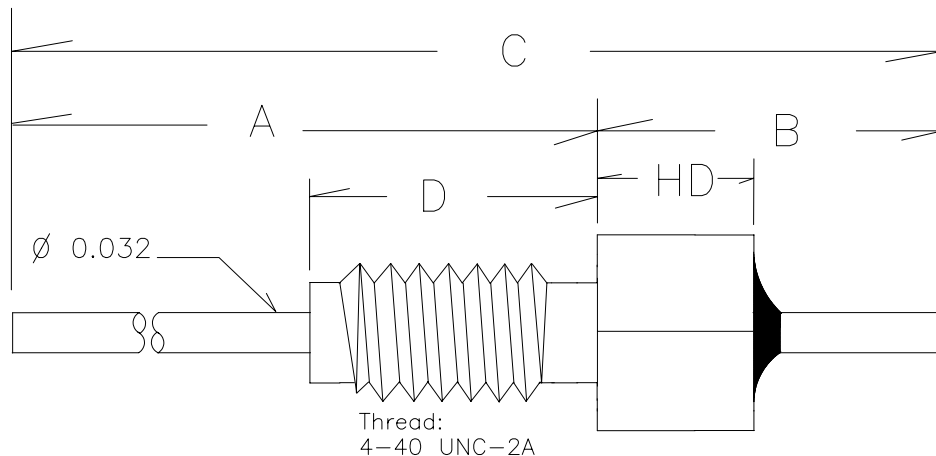
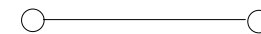
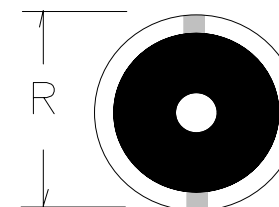
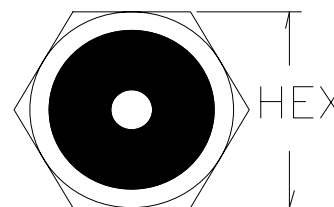


4-40 UNC-2A THREADED
"0" CAPACITANCE FEED-THROUGHS

CIRCUIT



.020" x .020" (.50 x .50mm)



EMI P/N	FINISH	A		B		C		D		HD		HEX/R	
		Inches	mm	Inches	mm	Inches	mm	Inches	mm	Inches	mm	Inches	mm
B3C000D	Silver	.315"	8.00	.225"	5.71	.540"	(13.71)	.140"	(3.55)	.075"	(1.90)	.125"	(3.17) Hex
R3C000D	Silver	.290"	7.37	.250"	6.35	.540"	(13.71)	.140"	(3.55)	.100"	(2.54)	.125"	(3.17) Round
B4C000D	Silver	.395"	10.03	.265"	6.35	.660"	(16.38)	.220"	(5.59)	.120"	(3.05)	.156"	(3.96) Hex
B5C000D	Silver	.315"	8.00	.225"	5.71	.540"	(13.71)	.140"	(3.55)	.075"	(1.90)	.156"	(3.96) Hex

MATERIAL AND FINISH:

CASE: C12L14 CRS
LEAD: Copper (1/2 Hard)
FINISH: Silver per QQ-S-365

WORKING VOLTAGE: 200VDC

WITHSTAND VOLTAGE:

250% of WVDC (5 seconds)

INSULATION RESISTANCE:

10 Gig-Ohm Minimum
@ 25 Degrees Celcius

RATED DC CURRENT: 10 A

* RoHS Compliant

* ISO 9001:2008 Registered

DIMENSION TOLERANCE:

CASE LENGTH: +/- .010" (.250mm)
LEAD LENGTH: +/- .030" (.762mm)
LEAD DIAMETER: +/- .002" (.051mm)

OPERATING TEMP: -55° C to +125° C

INSTALLATION TEMP: N/A

MAXIMUM MOUNTING TORQUE: 2.0 in*lbs

EMI FILTER COMPANY
12750 59th WAY NORTH
CLEARWATER, FLORIDA 33760

(727) 585-7990
(727) 586-5138 Fax

www.emifiltercompany.com

EMI PART NUMBER: 4-40 SERIES
FEED-THRU

FSCM NO.

OR9L0

DWG NO.

4-40FEEDTHRU_s REVC

REV

C

SCALE:
NTS